

**Fisher & Paykel**

**Parts Manual**

# **Compact 525 Stainless Steel Refrigerator / Freezer**

## **Models**

P120R

C270R

C240BL C240BR

## **Series**

**B & D**



**517727**



## PRODUCTS

**Brand** Fisher & Paykel

**Voltage** 220-240V 50Hz

<b>Model</b>	<b>Series</b>	<b>Code</b>	
C240BL	B	11172	11731
	D	12043	
C240BR	B	11171	11730
	D	12042	
C270R	B	11175	11734
	D	12046	
P120R	B	11170	11729
	D	12041	

Fisher & Paykel Customer Services  
PO Box 798  
19 Enterprise St  
Cleveland, Queensland 4163  
Australia  
Tel: (07) 3826 9122  
Fax: (07) 3826 9164  
Email: parts@fp.com.au  
A.C.N 003 335 171

Fisher & Paykel Ltd  
Whiteware Spare Parts  
PO Box 14-148, Panmure.  
80 Springs Rd, East Tamaki  
New Zealand  
Tel: (09) 272 0261  
Fax: (09) 272 0219  
Email: parts@fp.co.nz



## CONTENTS

DOOR ASSEMBLY SINGLE DOOR MODELS .....	4
DOOR ASSEMBLIES BOTTOM FREEZER MODELS.....	6
CABINET COMPONENTS MODEL P120 .....	8
CABINET COMPONENTS MODEL C270.....	10
CABINET COMPONENTS MODEL C240B.....	12
CONTROL BOX COMPONENTS.....	14
EVAPORATOR PLATE/DEFROST HEATER.....	16
COMPRESSOR AND CABINET REAR.....	18
NOTES .....	23

### GUIDE TO USING THIS MANUAL

The model(s) and/or series covered by this manual are listed on the front cover.

The information detailed in this manual is subject to change without notice, the latest version is indicated by the reprint date and replaces any earlier editions.

The front cover picture shows the type of product and may not necessarily be an exact image of the models covered by the manual.

#### Part References

Where a Model is shown, the part is exclusive to the Model(s) stated. Common parts relating to a part reference are applicable to all other Model(s) which use the particular item.

#### Kit Parts

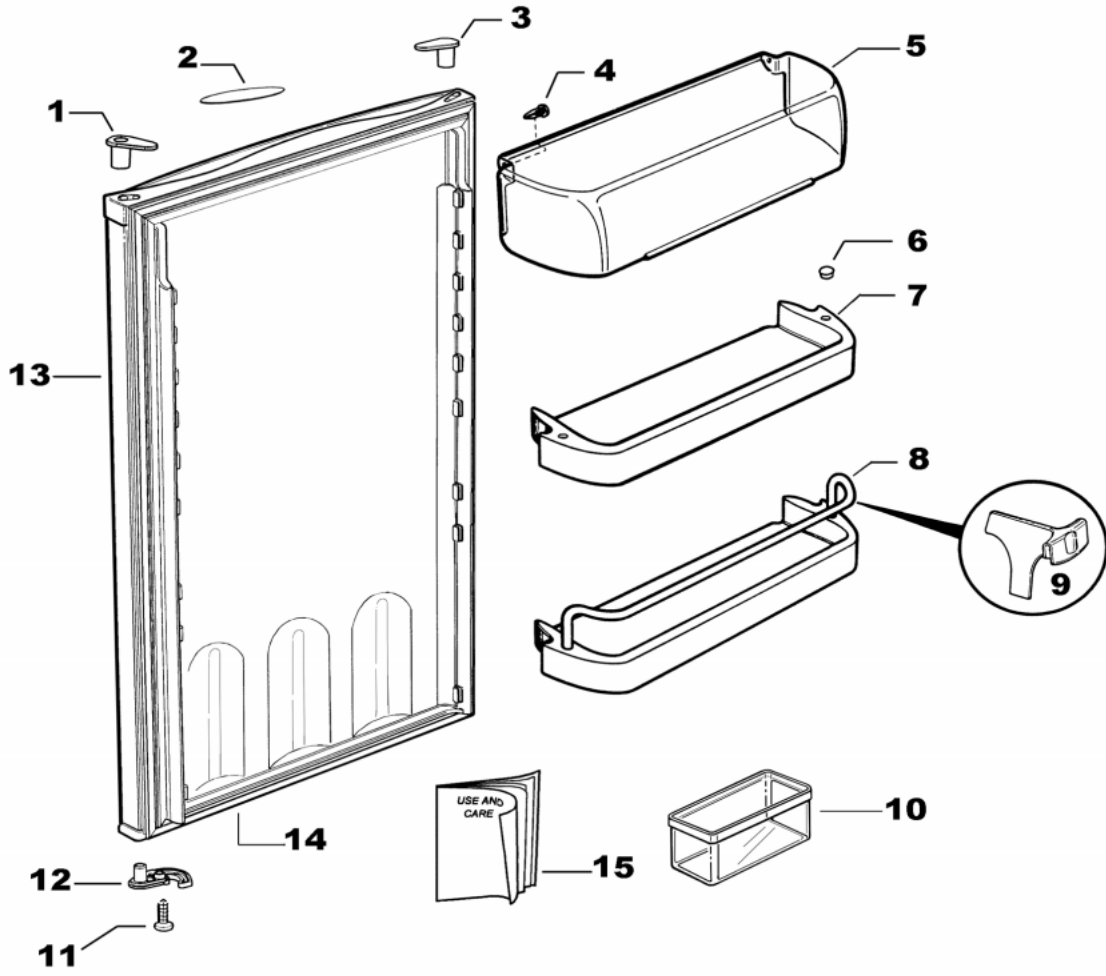
The components shown in *italics* are those parts in the kit which are available also as separate items. In addition, some parts may be supplied with this kit which are not available as separate items and are therefore not listed in this manual.

All details relating to Technical Bulletins or Notes are shown on a dedicated page. The Technical Bulletin Number shown relates to the bulletin version which is produced for New Zealand Service Centres.

#### Parts List Key

NOT USED	As a part, indicates the diagram part reference is not used in this manual.
#	Beside the part number, indicates the part is no longer available.
<i>italics</i>	Kit components shown in <i>italics</i> are also available separately.
*	Indicates a technical bulletin or note exists for the part or part reference.
NI	As a part reference, indicates the part is not illustrated on the diagram.

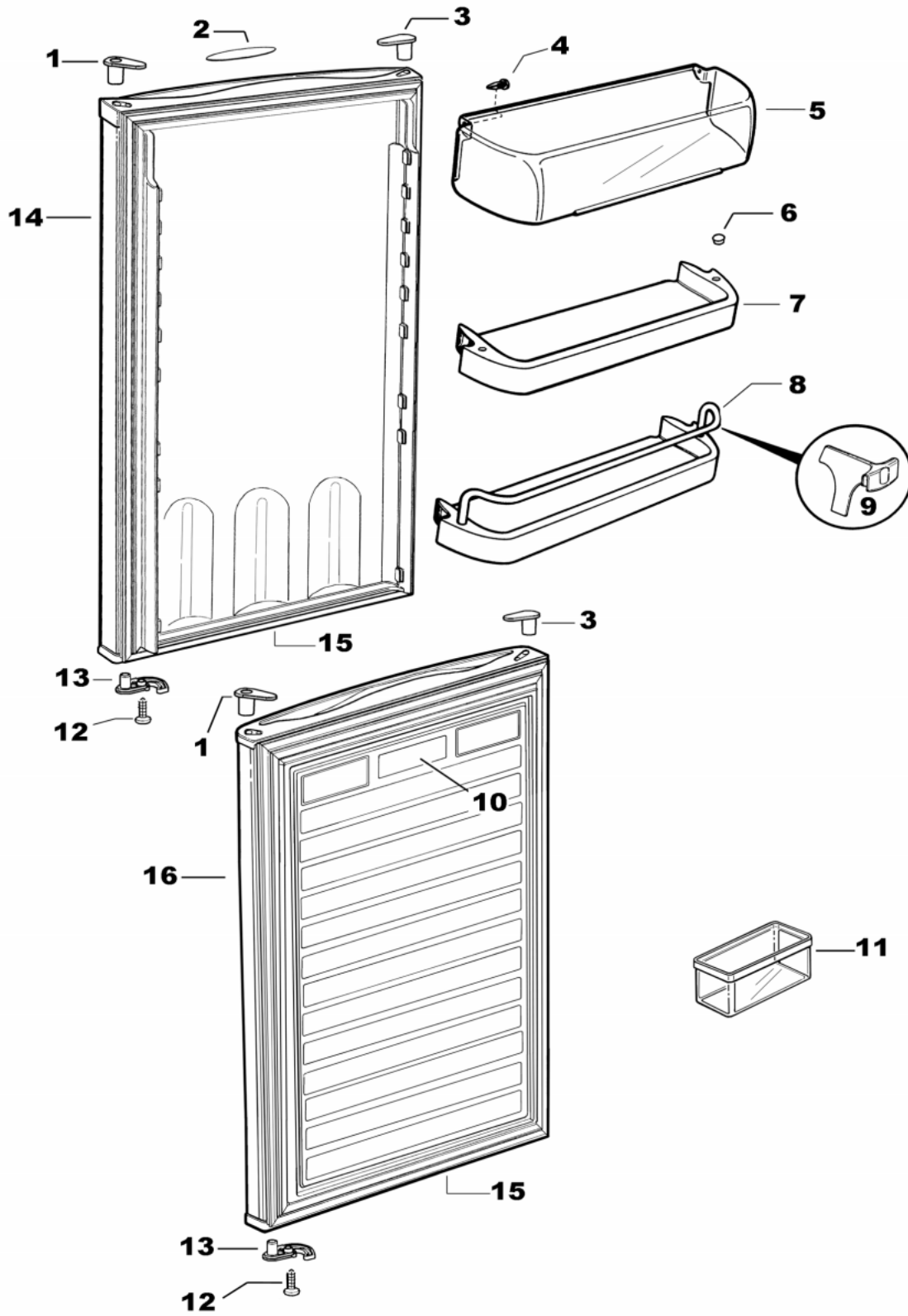
# DOOR ASSEMBLY SINGLE DOOR MODELS



**DOOR ASSEMBLY SINGLE DOOR MODELS**

<b>REF</b>	<b>PART</b>	<b>DESCRIPTION</b>	<b>MODEL</b>
1	881553	BEARING HINGE 525 CH	
2	NOT USED		
3	881554	COVER HINGE HOLE 525 CH	
4	871123	PLUG/PIN HINGE DAIRY COVER	
5	876253	COVER DOOR SHELF 525 MOULDED	
6	876281	PLUG DOOR SHELF WHITE	
7	874977	SHELF DOOR MOULDED 525 WHITE	
8	882650	RAIL BOTTLE SUPPORT 525	
9	883122	DIVIDER BOTTLE RAIL HS BLUE	
10	871129	BIN EGG/ICE MOULD ALL BRANDS	
11	881044	SCREW #8X22 WAFER PHIL STZP	
12	881555	BEARING DR CLOSING RH 525 CH	
	881556	BEARING DR CLOSING LH 525 CH	
13	315084P	DOOR PC SS525X 769 BS P120 C240B	
	315087P	DOOR PC SS525X1552 BS C270	
14	872027P	GASK ASSY PUSHIN 525X1526 LTGR	
	872029P	GASK ASSY PUSHIN 525X 746 LTGR	
15	881562	BOOKLET USE & CARE 525 C635	
NI	479151	LEAFLET SMART CARE NZ	
	479186	LEAFLET SMART CARE WARRANTY AU	

# DOOR ASSEMBLIES BOTTOM FREEZER MODELS

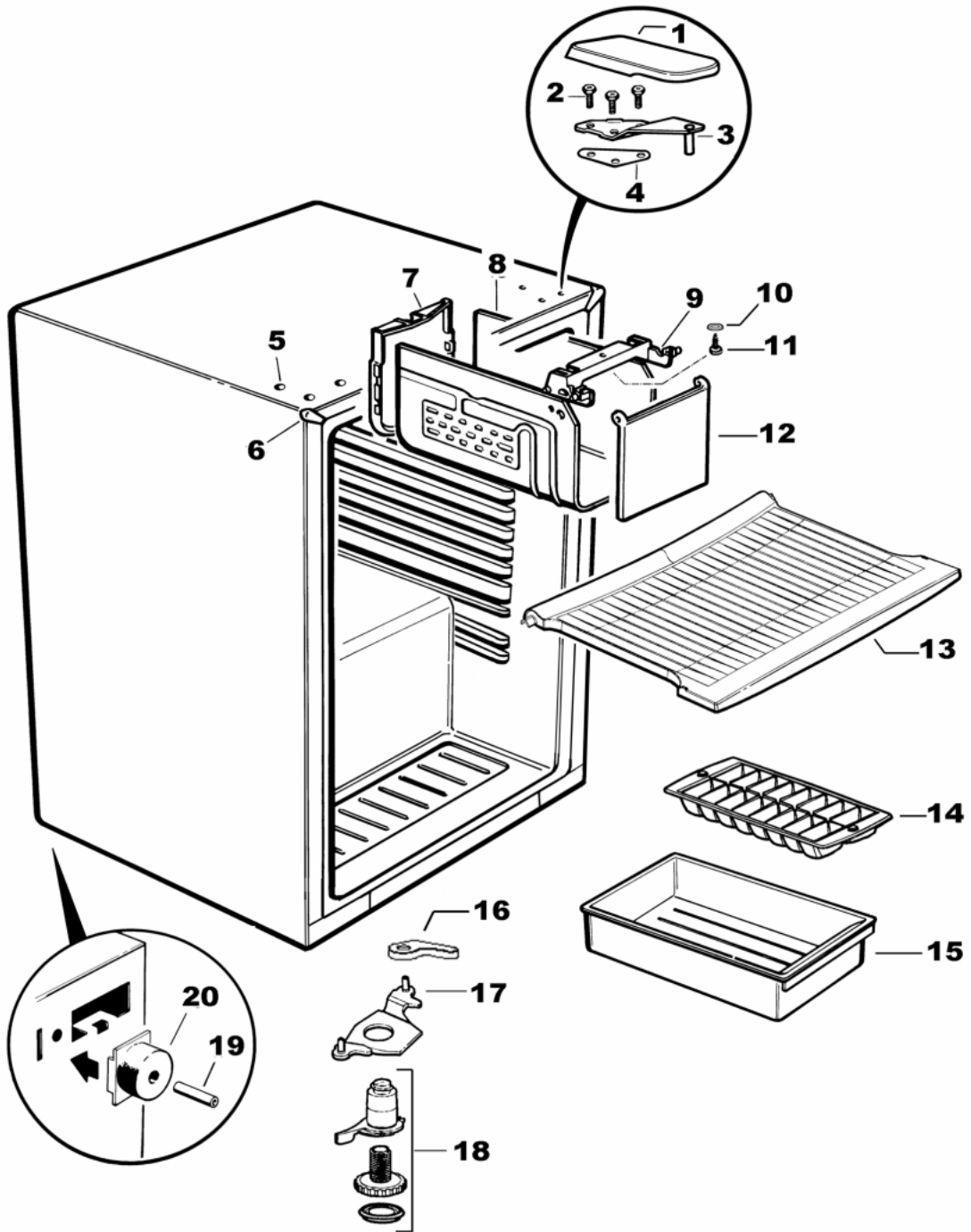




**DOOR ASSEMBLIES BOTTOM FREEZER MODELS**

<b>REF</b>	<b>PART</b>	<b>DESCRIPTION</b>	<b>MODEL</b>
1	881553	BEARING HINGE 525 CH	
2	NOT USED		
3	881554	COVER HINGE HOLE 525 CH	
4	871123	PLUG/PIN HINGE DAIRY COVER	
5	876253	COVER DOOR SHELF 525 MOULDED	
6	876281	PLUG DOOR SHELF WHITE	
7	874977	SHELF DOOR MOULDED 525 WHITE	
8	882650	RAIL BOTTLE SUPPORT 525	
9	883122	DIVIDER BOTTLE RAIL HS BLUE	
10	874706	LABEL FREEZER GUIDE RF BLUE	
11	871129	BIN EGG/ICE MOULD ALL BRANDS	
12	881044	SCREW #8X22 WAFER PHIL STZP	
13	881555	BEARING DR CLOSING RH 525 CH	
	881556	BEARING DR CLOSING LH 525 CH	
14	315084P	DOOR PC SS525X 769 BS P120 C240B	
15	872029P	GASK ASSY PUSHIN 525X 746 LTGR	
16	315082P	DOOR FC SS 525X769 BS C240B	

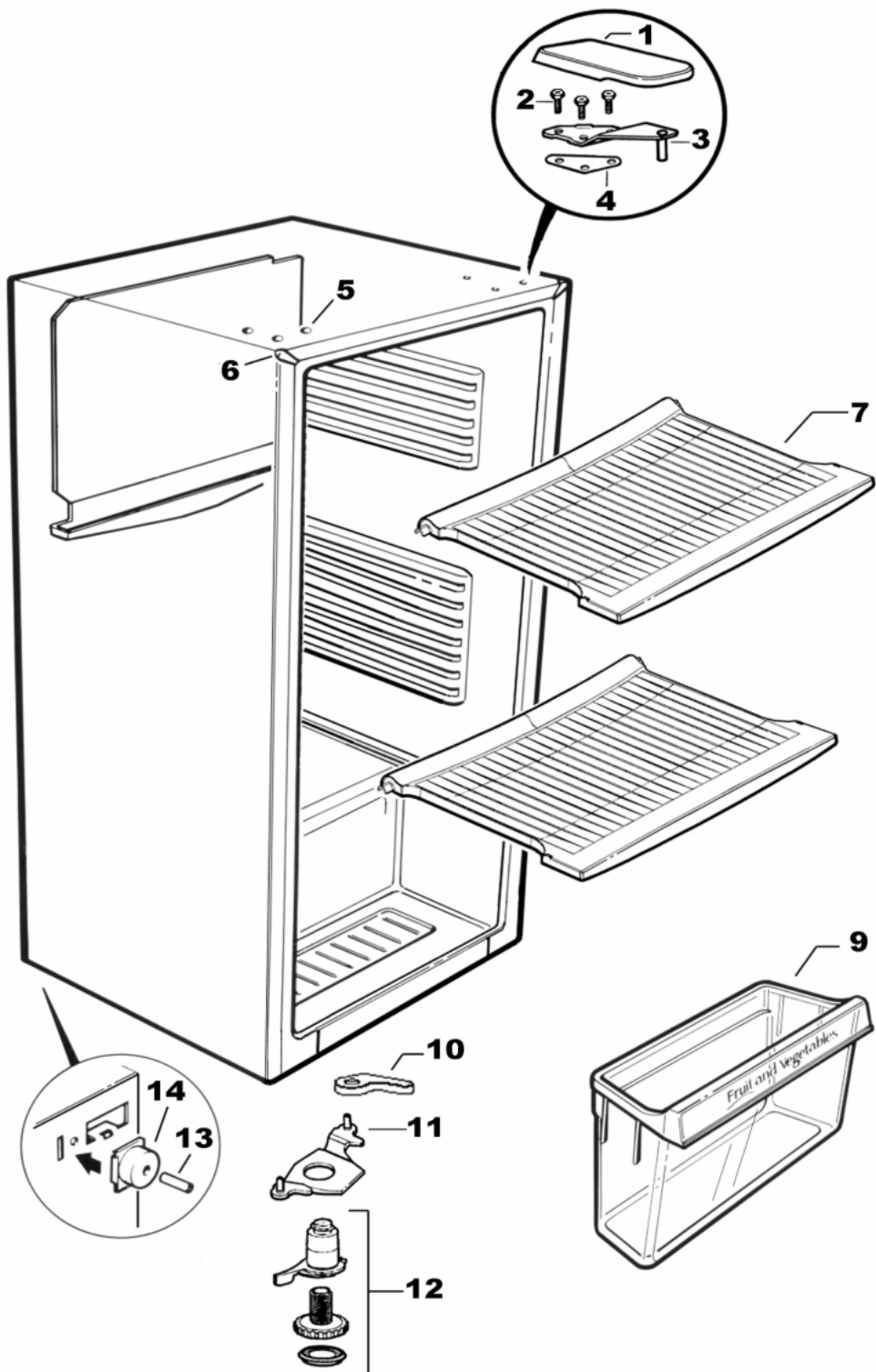
### CABINET COMPONENTS MODEL P120



**CABINET COMPONENTS MODEL P120**

<b>REF</b>	<b>PART</b>	<b>DESCRIPTION</b>	<b>MODEL</b>
1	881314	COVER TOP HINGE CH	
2	610312	SCREW MC M5X20 HEX PH MS ZNPL	
3	880526	BRACKET TOP HINGE ASSY (PLATED)	
4	882355	GASKET TOP HINGE	
5	881244	PLUG TAPPED HOLE CHARCOAL	
6	881243	TRIM CORNER CHARCOAL	
7	850291	PANEL BACK EVAP P120	
8	870270	EVAPORATOR ASSY COMPLETE P120	
		<i>203468# WASHER 4.3 ID X 110 OD 304 SS</i>	
		<i>850291 PANEL BACK EVAP P120</i>	
		<i>850292 BRACKET EVAP SUPPT P120</i>	
		<i>SP0057 SCREW ST 8X25 TAB PAN PH SS</i>	
9	850292	BRACKET EVAP SUPPT P120	
10	203468#	WASHER 4.3 ID X 110 OD 304 SS	
11	SP0057	SCREW ST 8X25 TAB PAN PH SS	
12	877192	DOOR EVAP MOULDED P120 WHITE	
13	* 875049	SHELF PC PLASTIC 525	
14	874107	TRAY ICE BASE	
15	872226	TRAY MEAT MOULDED ALL BRANDS	
16	883328	CAP DOOR CLOSING RH HGE BRKT	
	883329	CAP DOOR CLOSING LH HGE BRKT	
17	881280	BRACKET BTTM HINGE 525 PLATED	
18	880934	FOOT LEVELLING ASSY 525	
		<i>880515 FOOT LEVELLING 525</i>	
		<i>880516 PLUG THREADED LEVELLING FOOT</i>	
		<i>880519 BASE LEVELLING FOOT</i>	
19	402016	PIN-SKID	
20	402015	FOOT SKID PLASTIC	

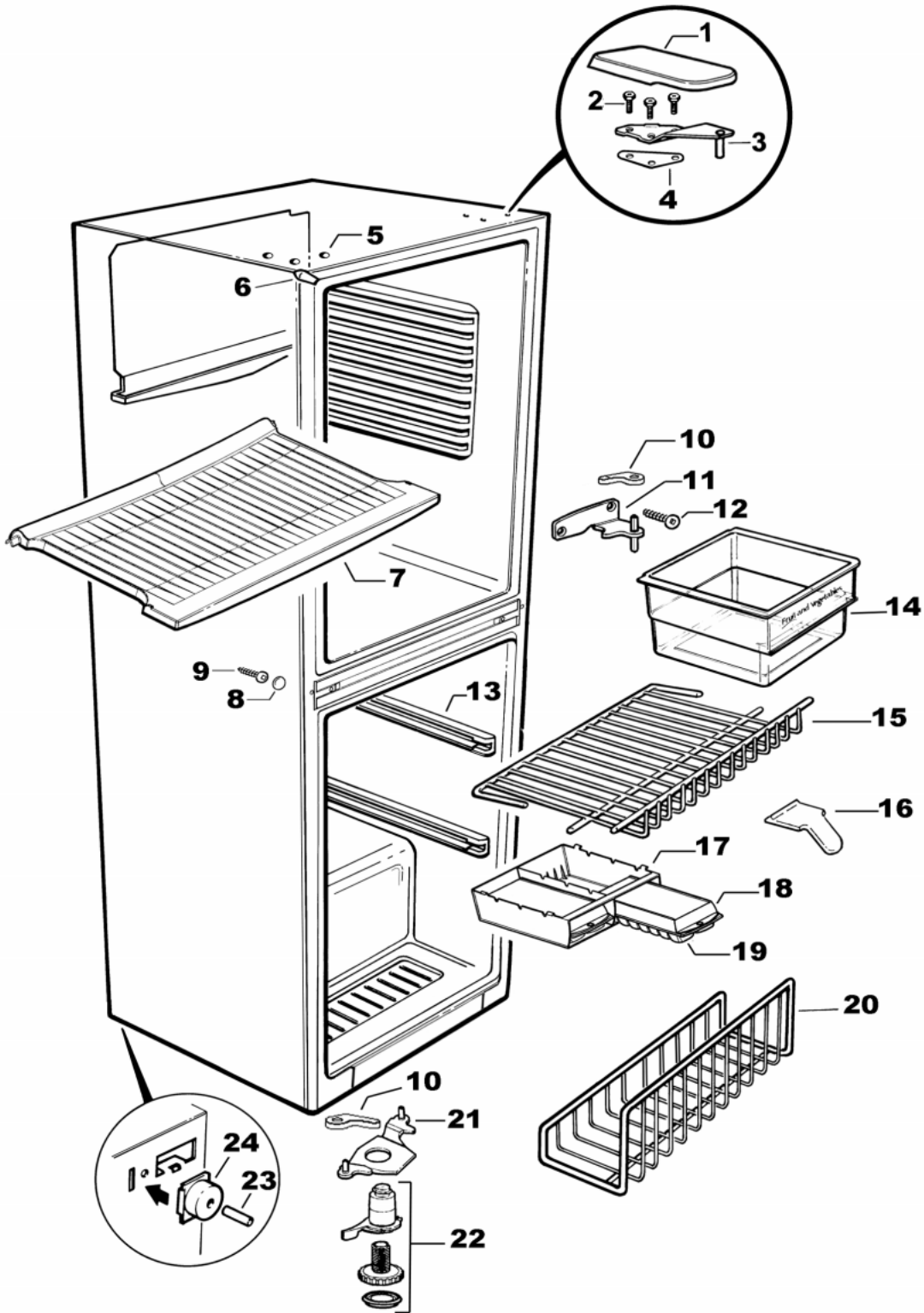
# CABINET COMPONENTS MODEL C270



**CABINET COMPONENTS MODEL C270**

<b>REF</b>	<b>PART</b>	<b>DESCRIPTION</b>	<b>MODEL</b>
1	881314	COVER TOP HINGE CH	
2	610312	SCREW MC M5X20 HEX PH MS ZNPL	
3	880526	BRACKET TOP HINGE ASSY (PLATED)	
4	882355	GASKET TOP HINGE	
5	881244	PLUG TAPPED HOLE CHARCOAL	
6	881243	TRIM CORNER CHARCOAL	
7	* 875049	SHELF PC PLASTIC 525	
9	881162	BIN CRISP T HSM872613 BLUE 525	
	883308	BIN CRISP T HSM872613 BLUE 525	SERIES D
10	883328	CAP DOOR CLOSING RH HGE BRKT	
	883329	CAP DOOR CLOSING LH HGE BRKT	
11	881280	BRACKET BTM HINGE 525 PLATED	
12	880934	FOOT LEVELLING ASSY 525	
		<i>880515 FOOT LEVELLING 525</i>	
		<i>880516 PLUG THREADED LEVELLING FOOT</i>	
		<i>880519 BASE LEVELLING FOOT</i>	
13	402016	PIN-SKID	
14	402015	FOOT SKID PLASTIC	

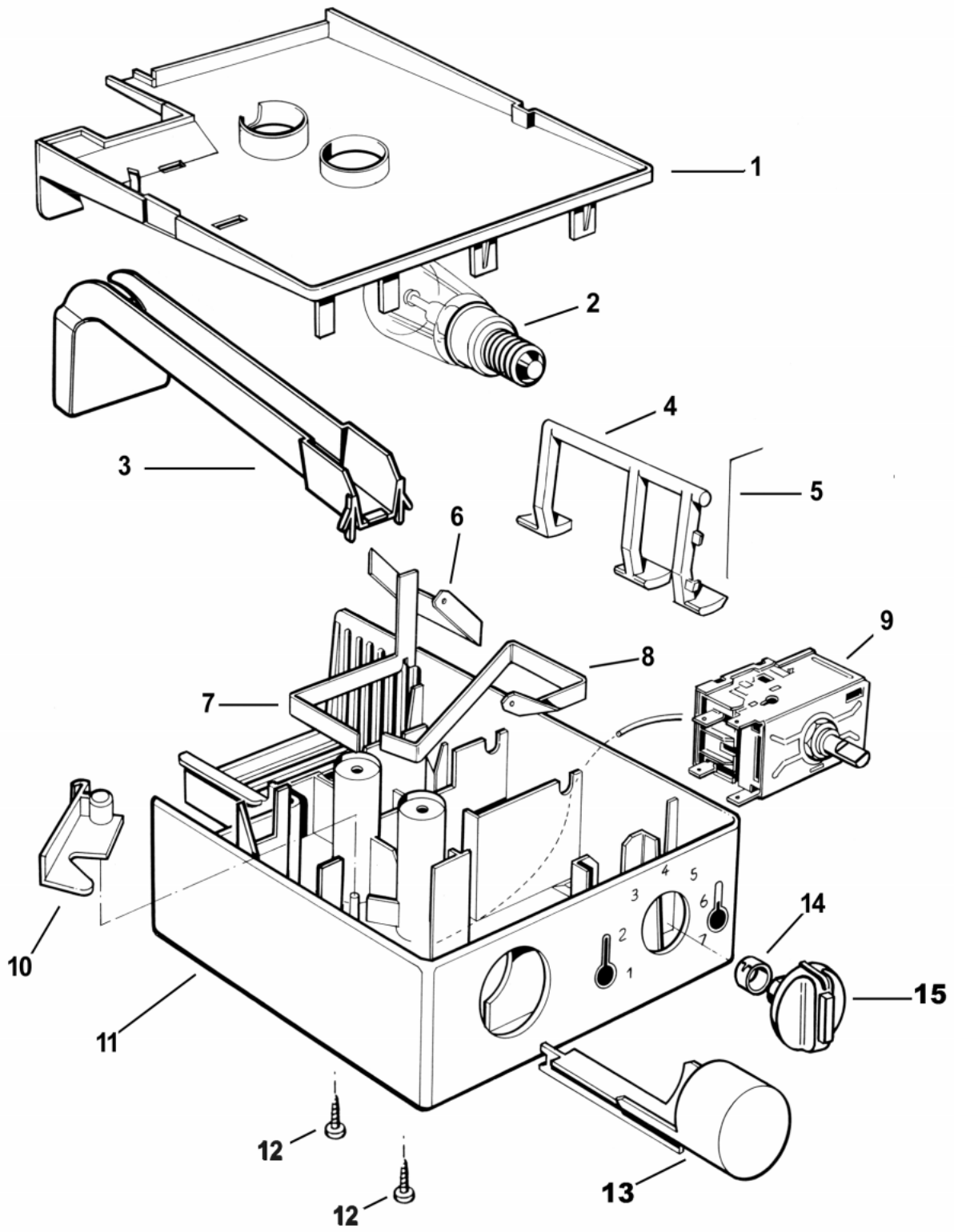
# CABINET COMPONENTS MODEL C240B



**CABINET COMPONENTS MODEL C240B**

<b>REF</b>	<b>PART</b>	<b>DESCRIPTION</b>	<b>MODEL</b>
1	881314	COVER TOP HINGE CH	
2	610312	SCREW MC M5X20 HEX PH MS ZNPL	
3	880526	BRACKET TOP HINGE ASSY (PLATED)	
4	882355	GASKET TOP HINGE	
5	881244	PLUG TAPPED HOLE CHARCOAL	
6	881243	TRIM CORNER CHARCOAL	
7	* 875049	SHELF PC PLASTIC 525	
8	880595	CAP SCREW CROSS RAIL WHITE	
	881295	CAP SCREW CROSS RAIL CHARCAOAL	
9	880655	SCREW #10X19 AB #2 SQ ZN	
10	883328	CAP DOOR CLOSING RH HGE BRKT	
	883329	CAP DOOR CLOSING LH HGE BRKT	
11	881283	BRACKET CTR HINGE RH PLATED	
	881286	BRACKET CTR HINGE LH PLATED	
12	880656	SCREW 10GX25CSK SQ SS	
13	870170	BRACKET FC SHELF SUPPORT SHORT	
14	881164	BIN CRISP B HSM872209 BLUE 525	
	883336	BIN CRISP B HSM872209 BLUE 525	SERIES D
15	873426	SHELF FC B 525 WHITE	
16	871506	ACCESSORY DEFROST	
17	872963	TRAY ICE HOLDER	
18	874108	TRAY ICE LID	
19	874107	TRAY ICE BASE	
20	852704	BASKET FORMED FC	
21	881280	BRACKET BTM HINGE 525 PLATED	
22	880934	FOOT LEVELLING ASSY 525	
		<i>880515 FOOT LEVELLING 525</i>	
		<i>880516 PLUG THREADED LEVELLING FOOT</i>	
		<i>880519 BASE LEVELLING FOOT</i>	
23	402016	PIN-SKID	
24	402015	FOOT SKID PLASTIC	
NI	852208	TUBE DRAIN FREEZERS	

### CONTROL BOX COMPONENTS

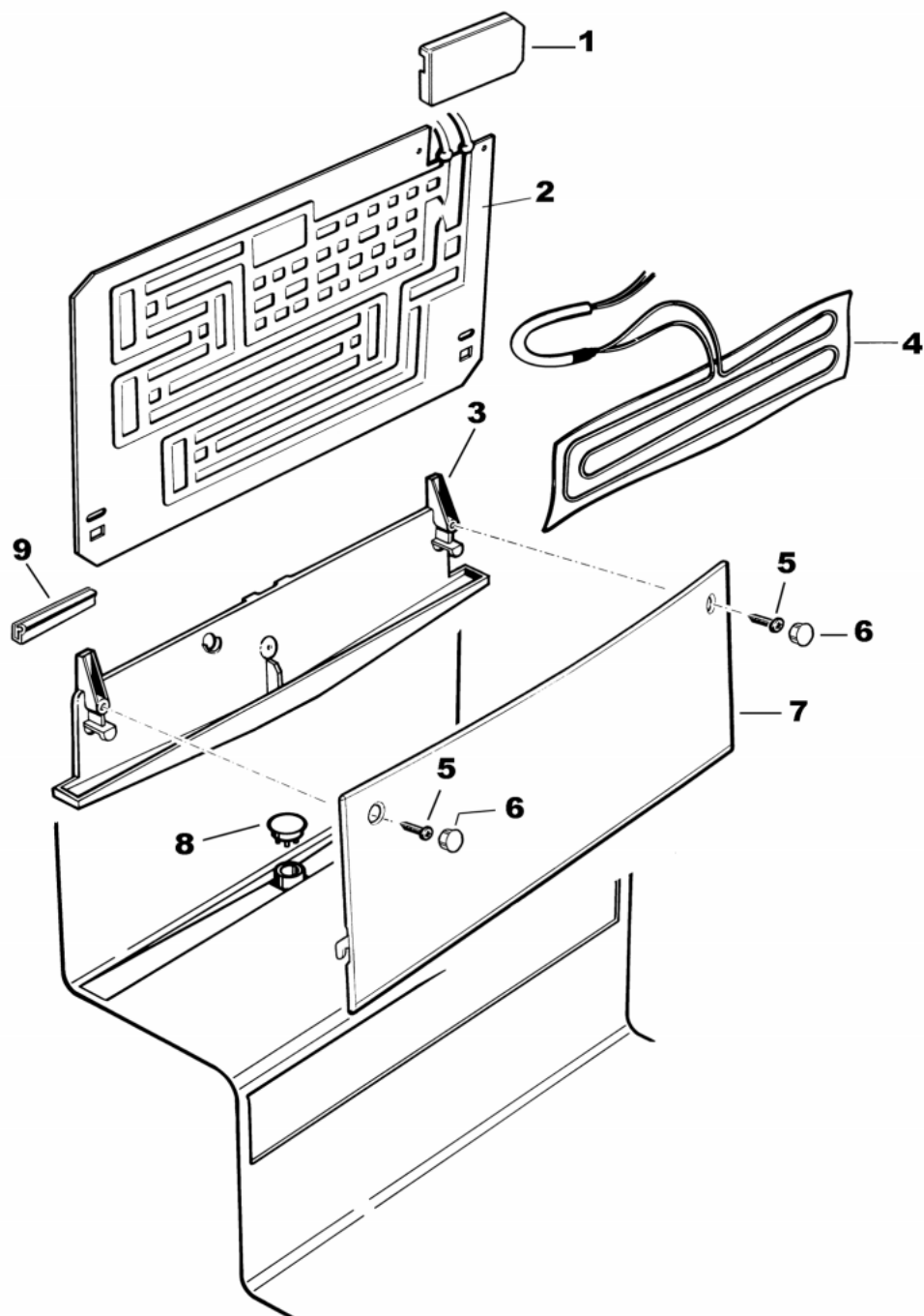




**CONTROL BOX COMPONENTS**

<b>REF</b>	<b>PART</b>	<b>DESCRIPTION</b>	<b>MODEL</b>
1	877729	COVER CONTROL BOX TOP	
2	871312P	LAMP 230V 15W SES	
3	872021	DUCT CONTROL BOX 525	
4	874892	DOOR CONTROL BOX 635	
5	871040	SPRING CONTROL BOX DOOR	
6	871302	TERMINAL NEUTRAL CONTROL BOX	
7	871032	TERMINAL SPRING CONT. BOX 635	
8	872470	TERMINAL PHASE CONTROL BOX	
9	878563P	CONTROL RANCO K59 P6827	C240BL
	878563P	CONTROL RANCO K59 P6827	C240BR
	878360P	CONTROL RANCO K59-P6821-000	C270R
	878564P	CONTROL RF THERMOSTAT K60 P112	P120R
10	876995	CAM CONTROL BOX	
11	881159	CONTROL BOX BASE HSM877727 BLU	
12	SP0055	SCREW #8X20 AB PAN PHIL SS	
13	876747	KNOB LIGHT SWITCH WHITE 635	
14	874794	CLIP CONTROL ASSY KNOB	
15	876626	KNOB CONTROL ASSY WHITE/DK GRE	
		<i>873459 KNOB CONTROL WHITE</i>	
		<i>874794 CLIP CONTROL ASSY KNOB</i>	
		<i>876491 TRIM KNOB DK GREY-REPLACED BY 876626</i>	
	876699	KNOB CONTROL ASSY P120 WHITE/D	
		<i>874794 CLIP CONTROL ASSY KNOB</i>	
		<i>876697# BUTTON DEFROST CONTROL-DK GREY</i>	

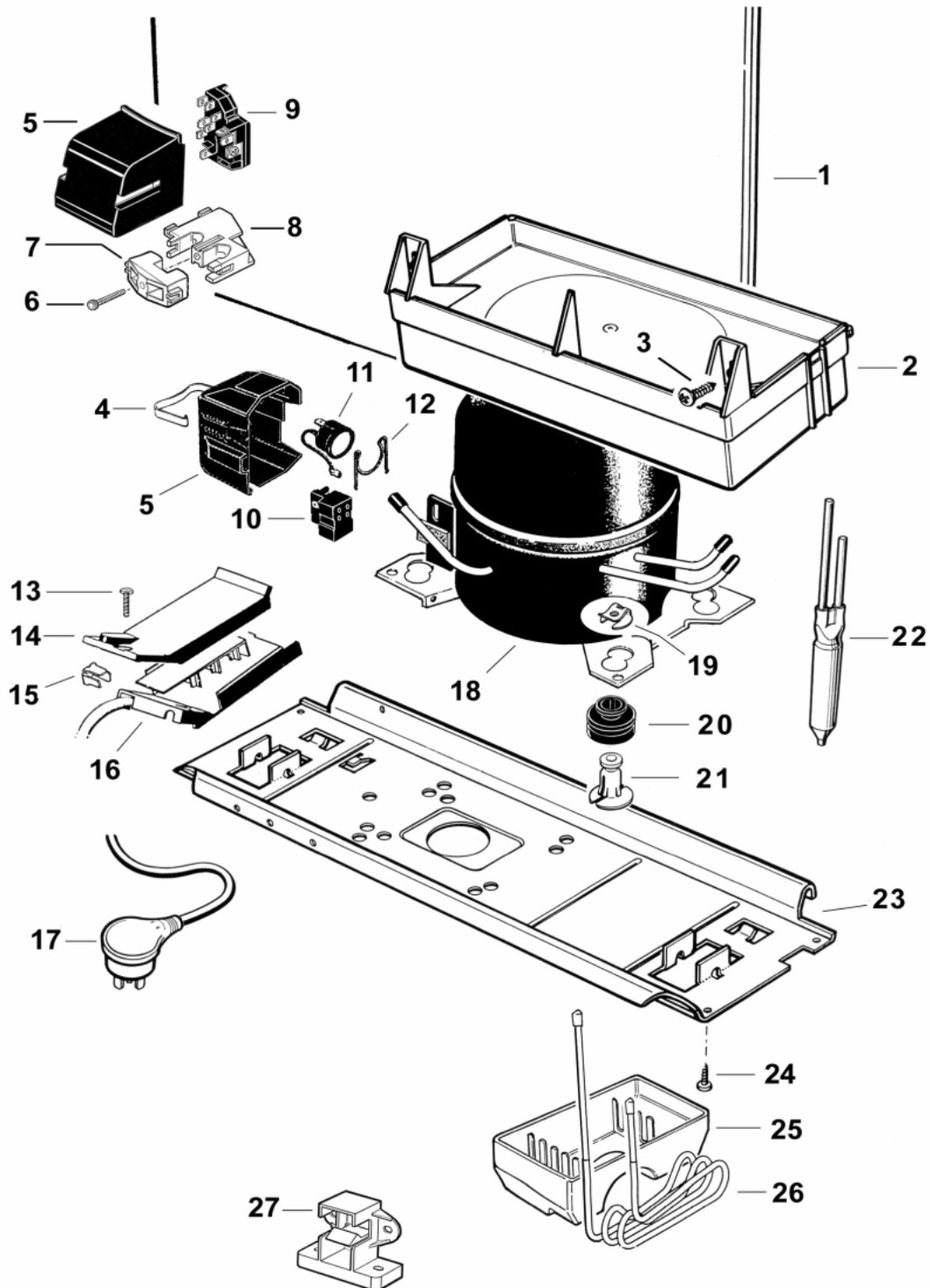
## EVAPORATOR PLATE/DEFROST HEATER



**EVAPORATOR PLATE/DEFROST HEATER**

<b>REF</b>	<b>PART</b>	<b>DESCRIPTION</b>	<b>MODEL</b>
1	851302	COVER EVAP PLATE	
2	875024	EVAP PLATE ASSY C190,270	
3	876732	PLATE DEFROST HEATER	
4	877319P	HEATER DEFROST SLEEVED 220-240	
5	SP0054#	SCREW ST 8X50 TAB PAN PH SS	
	SP0059	SCREW #8X40 AB PAN PHIL SS	
6	855156	PLUG 10 DIA COVER WHITE	
7	875050	DEFLECTOR AIR FLOW 525	
8	851800	COVER DRAIN TUBE MOULDED	
9	878276	RETAINER PHIAL TUBE PAINTED	

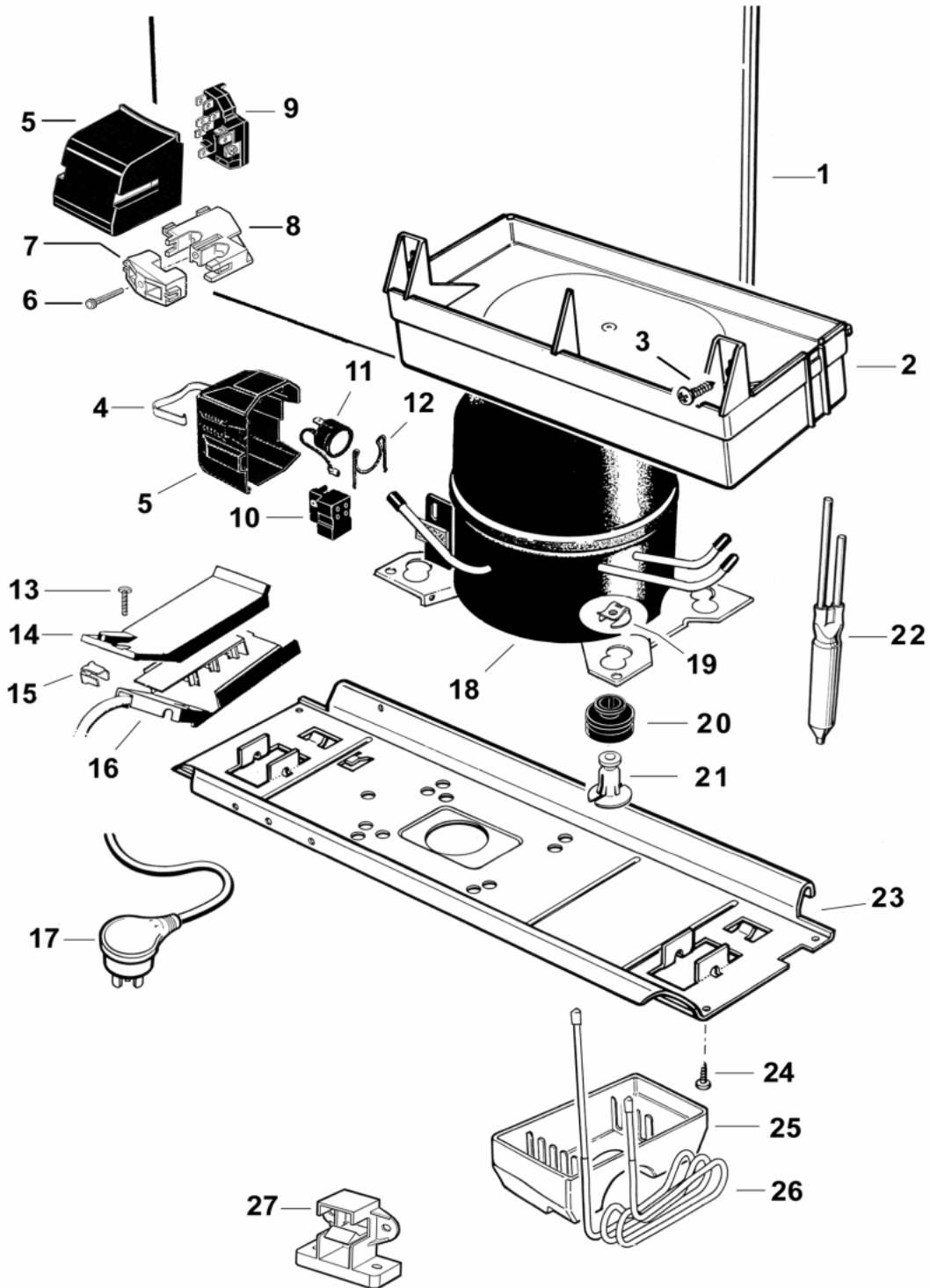
### COMPRESSOR AND CABINET REAR



**COMPRESSOR AND CABINET REAR**

<b>REF</b>	<b>PART</b>	<b>DESCRIPTION</b>	<b>MODEL</b>
1	873717	PANEL BACK ASSY P120,C120	
	873719	PANEL BACK ASSY C270 C240B	
	* 882168	PANEL BACK ALL COND TUBE P120	
2	876653	TRAY WATER EVAPORATOR NOTCHED	
3	SP0201P	SCREW 8X12 PAN PH NIB PKT10	
4	209944	CLIP COVER S SERIES R134A 100V	
5	209788	COVER PROT SB SERIES 01-894080	
	* 209863	COVER PROTECTOR 01-8983840	
6	855218	SCREW SOCKET CAP 4X25	
7	855217	CLAMP CORD	
8	209683	CLAMP B 01-274460	
9	* 209862	RELAY S-PTC MM8-711B	
10	209844	RELAY PTC MM85CDT33M SB SERIES	
11	209890	O/LOAD COMPR 189NFBYY FGS70	
12	209674	CLIP O/LOAD 01-246801	
13	SP0006	SCREW 8X20 AB PAN PHIL ST ZP	
14	874888	LID TERMINAL BLOCK	
15	874338	TERMINAL 3WAY	
16	875116	BASE TERMINAL BLOCK	
17	* 855257	CORD POWER CABLE 230V	
18	209298P	COMPR PKD NA SD51C10WAY5	C270, C240B
		<i>209683 CLAMP B 01-274460</i>	
	*	<i>209862 RELAY S-PTC MM8-711B</i>	
	*	<i>209863 COVER PROTECTOR 01-8983840</i>	
		<i>502173 FILTER DRIER 12 GR DUAL BRAZED</i>	
		<i>855217 CLAMP CORD</i>	
		<i>855218 SCREW SOCKET CAP 4X25</i>	
		<i>872838 GROMMET COMPRESSOR MOUNTING</i>	
	209935P	COMPR PKD NAT SB43C9CWA R134A	P120
		<i>209683 CLAMP B 01-274460</i>	
	*	<i>209862 RELAY S-PTC MM8-711B</i>	
	*	<i>209863 COVER PROTECTOR 01-8983840</i>	
		<i>502173 FILTER DRIER 12 GR DUAL BRAZED</i>	
		<i>855218 SCREW SOCKET CAP #4X25</i>	
		<i>872838 GROMMET COMPRESSOR MOUNTING</i>	
19	855270	CLIP FOOT COMPRESSOR	
20	872838	GROMMET COMPRESSOR MOUNTING	

# COMPRESSOR AND CABINET REAR



**COMPRESSOR AND CABINET REAR**

<b>REF</b>	<b>PART</b>	<b>DESCRIPTION</b>	<b>MODEL</b>
21	850265	PIN COMPRESSOR MNTG	
22	502173	FILTER DRIER 12 GR DUAL BRAZED	
23	878486	TRAY COMP MOUNTING 525	
24	900475	SCREW #8X16.4MM SP PAN NIB ST	
25	873228	TRAY WATER OVERFLOW	
26	882776	TUBE HEATER SHEATHED 4.76MM-C270	
27	880911	BRACKET STABILITY ASSY	
	880632	<i>BRACKET CABINET STABILITY</i>	
	880769	<i>SPACER STABLITY BRACKET</i>	
	880910	<i>PLUG MASONRY SP630 10X30MM</i>	
	880933	<i>LEAFLET STABILITY BRACKET</i>	
	901351	<i>SCREW 10X40MM P021 S/TAP ZNPL</i>	





## NOTES

### CABINET COMPONENTS MODEL P120

#### Technical Bulletins

875049                RF001

### CABINET COMPONENTS MODEL C270

#### Technical Bulletins

875049                RF001

### CABINET COMPONENTS MODEL C240B

#### Technical Bulletins

875049                RF001

### COMPRESSOR AND CABINET REAR

#### Technical Bulletins

209862                RF100, RF98  
209863                RF100, RF98  
855257                RF100, RF98  
882168                RF020